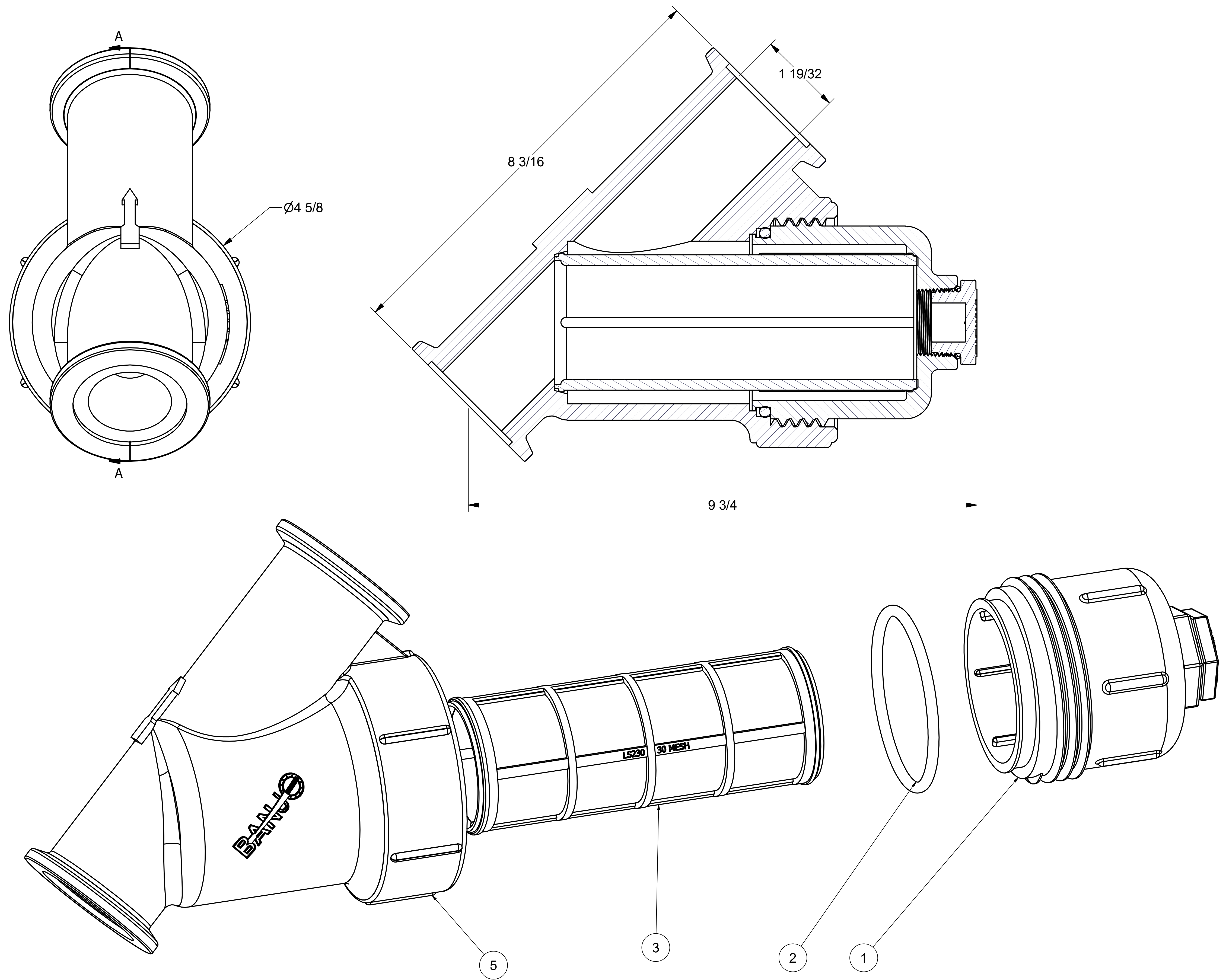


Parts List

ITEM	QTY	PART NUMBER	DESCRIPTION
1	1	LS150-C	LS CAP ASSY
2	1	LS150-G	#339 O-RING
3	1	LS230	2" LS SCREEN - 30 MESH
4	1	LST225D	DECAL (N/S)
5	1	MLS200B	2" LINE STRAINER BODY



THIS DRAWING AND ALL INFORMATION CONTAINED THEREON ARE THE EXCLUSIVE PROPERTY OF BANJO CORPORATION.  
UNLESS SPECIFICALLY NOTED, THIS DRAWING AND ITEMS SHOWN ON THIS DRAWING ARE SUBJECT TO CHANGE AT ANY TIME.

**BANJO CORPORATION**  
 150 BANJO DRIVE, CRAWFORDSVILLE, IN 47933  
 WEB SITE: WWW.BANJOCORP.COM  
 E-MAIL: SALES1@BANJOCORP.COM

**BANJO CORPORATION**  
 2" MANIFOLD LINE STRAINER - 30 MESH SCREEN  
 PART NUMBER: MLS200-30